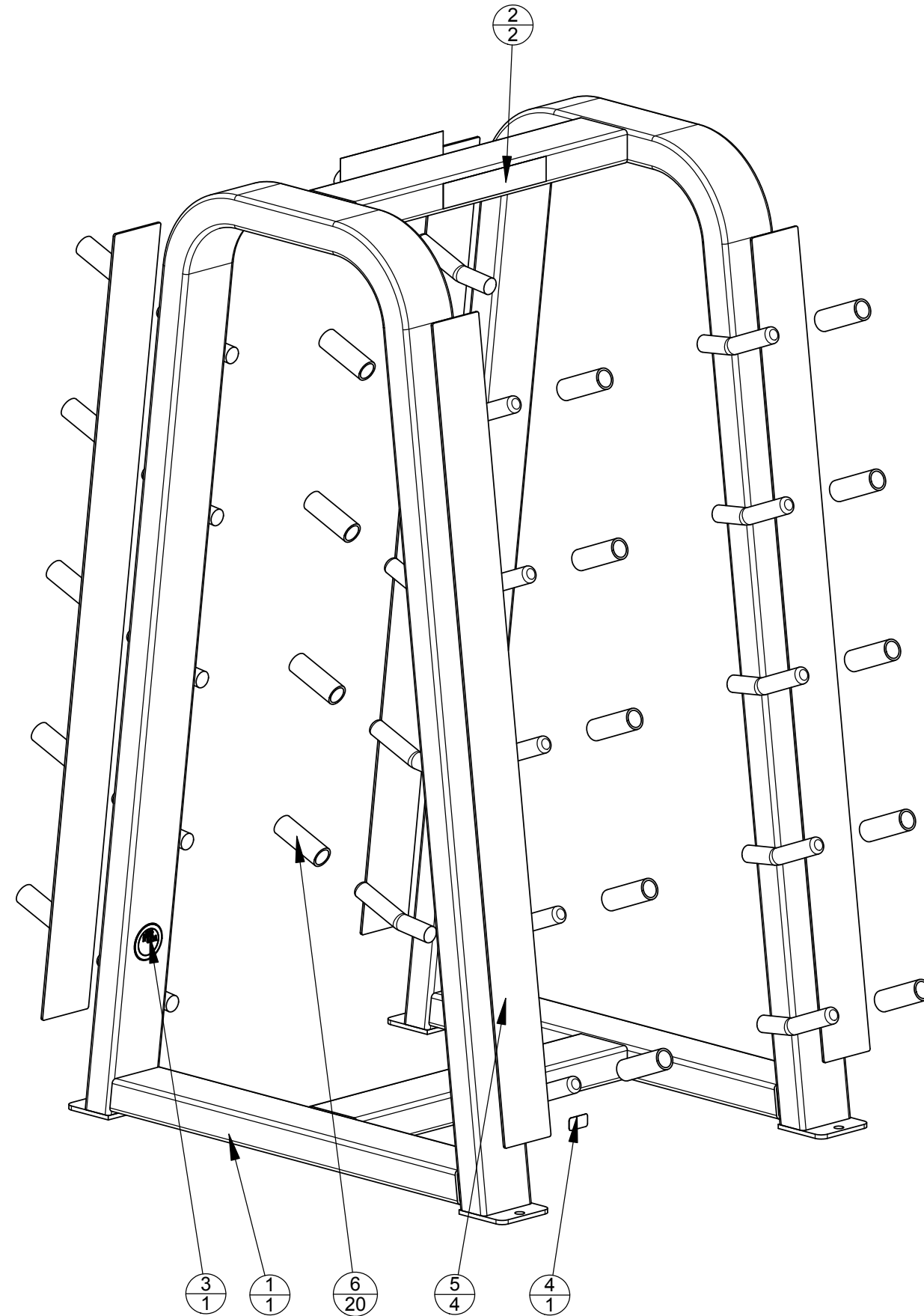


REVISIONS				
REV	ECN #	DESCRIPTION	REV. BY/DATE	APR. BY
A	-----	REDRAWN & UPDATED IN SOLIDWORKS	05/1999	



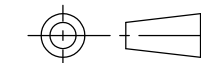
ITEM NO.	QTY.	PART NO.	DESCRIPTION
1	1	808-SA-1	808 MAIN FRAME ASSY
2	2	AC1001	LABEL, "ICARIAN", 1 1/2 x 8 1/8
3	1	AC1161	LABEL, ROUND, "MADE IN USA"
4	1	AC1164	LABEL, F.P.I. SERIAL NUMBER
5	4	CP1147	ABS BLACK, 1/8 x 3 3/4 x 48 1/2
6	20	CP1182	CUT PIECE, VINYL HOSE, 1 1/4 OD x 1 ID x (3 1/2)

UNLESS OTHERWISE SPECIFIED  
DIMENSIONS ARE IN INCHES

TOLERANCES ARE:

FRACTIONS	DECIMALS	ANGLES
± 1/32	.XX ± .01 .XXX ± .005	± 1°

THIRD ANGLE PROJECTION



DO NOT SCALE DRAWING



**FITNESS PRODUCTS INTERNATIONAL**  
ICARIAN FLITE ABENCH JADE STRETCH CENTER  
12660 BRANFORD ST. SUN VALLEY, CA. 91352

APPROVALS	DATE
DESIGNED BY KLS	01/95
MODELED BY VLE	09/99
DRAWN BY VLE	07/03
APPROVED BY	

TITLE	SCALE
BARBELL RACK	1:8
SIZE	DWG. NO.
B	808-EXP

SHEET	REV
1 OF 1	A

WEIGHT: 175 LBS.

**808 Barbell Rack, 10 Bar**

<b>Part Number</b>	<b>Description</b>	<b>Bubble Number</b>
CW808SA1-211	ASSY,FRAME,MAIN,808,SKY WHITE	1.01
CW808SA1-221	ASSY,FRAME,MAIN,808,BLACK	1.02
CW808SA1-231	ASSY,FRAME,MAIN,808,RED	1.03
CW808SA1-241	ASSY,FRAME,MAIN,808,PLAT SPRKLE	1.04
CW808SA1-251	ASSY,FRAME,MAIN,808,SILVER	1.05
CW808SA1-261	ASSY,FRAME,MAIN,808,BLUE	1.06
CW808SA1-271	ASSY,FRAME,MAIN,808,CHARCOAL	1.07
CW808SA1-281	ASSY,FRAME,MAIN,808,CATH GRAY	1.08
CW808SA1-291	ASSY,FRAME,MAIN,808,SILVER VIEN	1.09
CW808SA1-311	ASSY,FRAME,MAIN,808,STONE HG	1.11
CW808SA1-321	ASSY,FRAME,MAIN,808,TITANIUM HG	1.12
CW808SA1-331	ASSY,FRAME,MAIN,808,WHITE GLOSS	1.13
CW808SA1-341	ASSY,FRAME,MAIN,808,BLACK ONYX	1.14
CW808SA1-351	ASSY,FRAME,MAIN,808,LT. BRONZE	1.15
CW808SA1-361	ASSY,FRAME,MAIN,808,SAPPHIRE BL	1.16
CWAC1001-101	LABEL, "ICARIAN", 1 1/2 X 8 1/8	2
CWAC1164-101	LABEL, F.P.I. SERIAL NUMBER	4
CW30012-117	CUT PIECE, ABS BLACK, 1/8 X 3 3/4 X	5
CWGR2603-625	GRIP,RUBBER, 1" DIA, 3 5/8"	6
CW31756-101	LABEL, PRECOR USA ICARIAN LINE	7
CWAC1177-101	FLOOR PROTECTOR, RUBBER, 4.563 X 4.	501

**808 Barbell Rack, 10 Bar**

<b>Part Number</b>	<b>Description</b>	<b>Bubble Number</b>
CW808SA1-211	ASSY,FRAME,MAIN,808,SKY WHITE	1.01
CW808SA1-221	ASSY,FRAME,MAIN,808,BLACK	1.02
CW808SA1-231	ASSY,FRAME,MAIN,808,RED	1.03
CW808SA1-241	ASSY,FRAME,MAIN,808,PLAT SPRKLE	1.04
CW808SA1-251	ASSY,FRAME,MAIN,808,SILVER	1.05
CW808SA1-261	ASSY,FRAME,MAIN,808,BLUE	1.06
CW808SA1-271	ASSY,FRAME,MAIN,808,CHARCOAL	1.07
CW808SA1-281	ASSY,FRAME,MAIN,808,CATH GRAY	1.08
CW808SA1-291	ASSY,FRAME,MAIN,808,SILVER VIEN	1.09
CW808SA1-311	ASSY,FRAME,MAIN,808,STONE HG	1.11
CW808SA1-321	ASSY,FRAME,MAIN,808,TITANIUM HG	1.12
CW808SA1-331	ASSY,FRAME,MAIN,808,WHITE GLOSS	1.13
CW808SA1-341	ASSY,FRAME,MAIN,808,BLACK ONYX	1.14
CW808SA1-351	ASSY,FRAME,MAIN,808,LT. BRONZE	1.15
CW808SA1-361	ASSY,FRAME,MAIN,808,SAPPHIRE BL	1.16
CWAC1001-101	LABEL, "ICARIAN", 1 1/2 X 8 1/8	2
CWAC1164-101	LABEL, F.P.I. SERIAL NUMBER	4
CW30012-117	CUT PIECE, ABS BLACK, 1/8 X 3 3/4 X	5
CWGR2603-625	GRIP,RUBBER, 1" DIA, 3 5/8"	6
CW31756-101	LABEL, PRECOR USA ICARIAN LINE	7
CWAC1177-101	FLOOR PROTECTOR, RUBBER, 4.563 X 4.	501